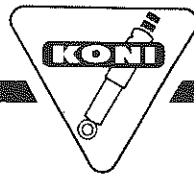
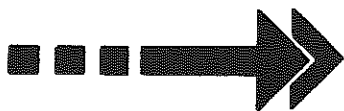
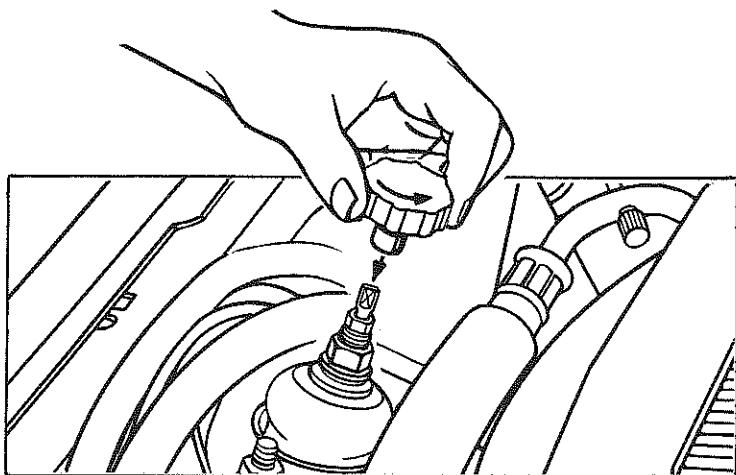
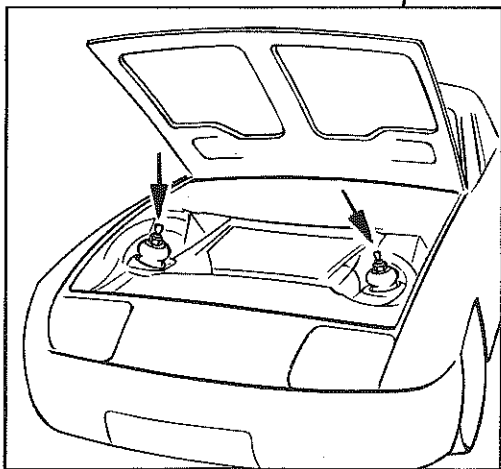
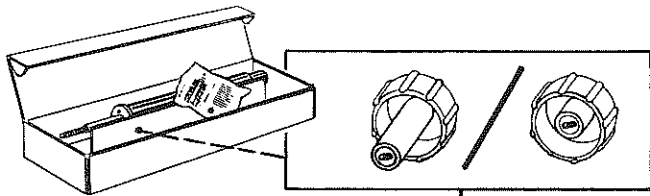
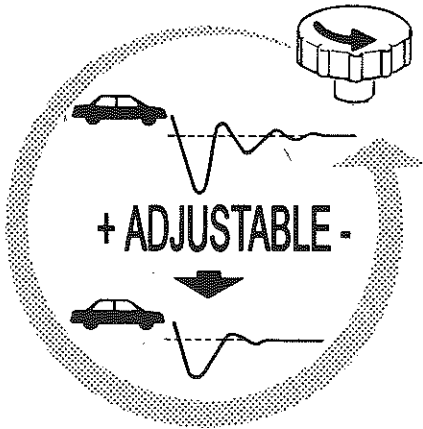


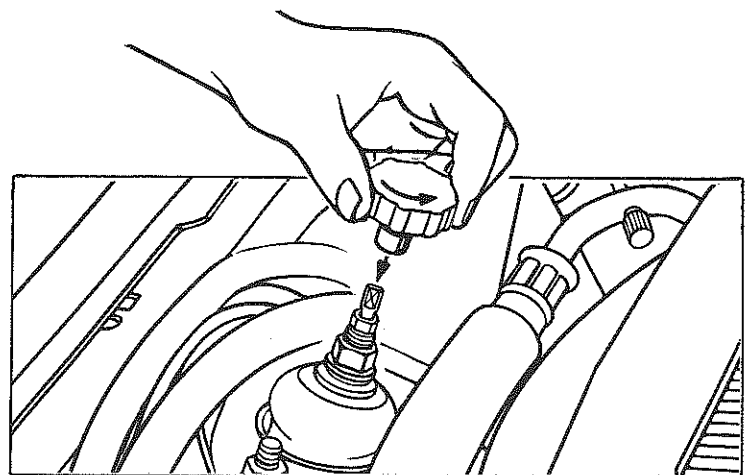
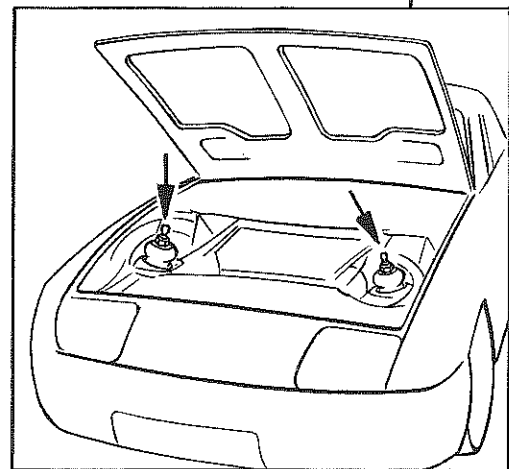
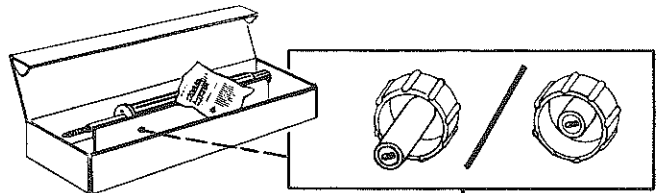
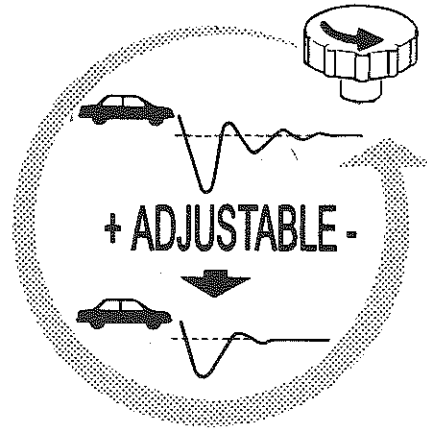
# instruction

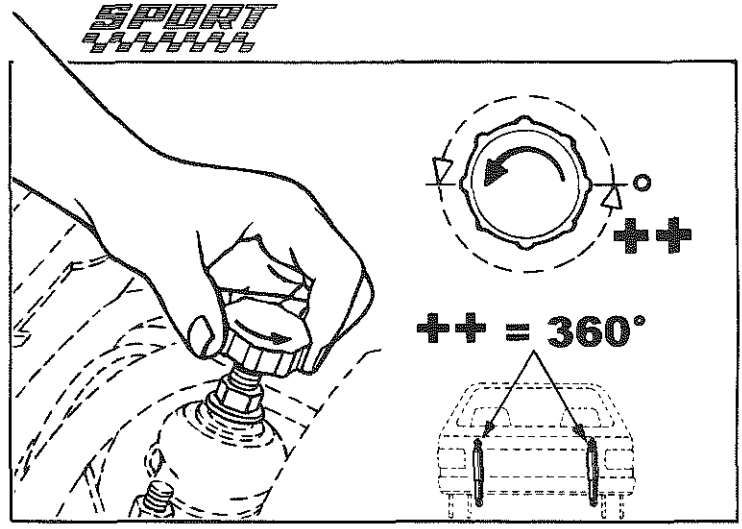
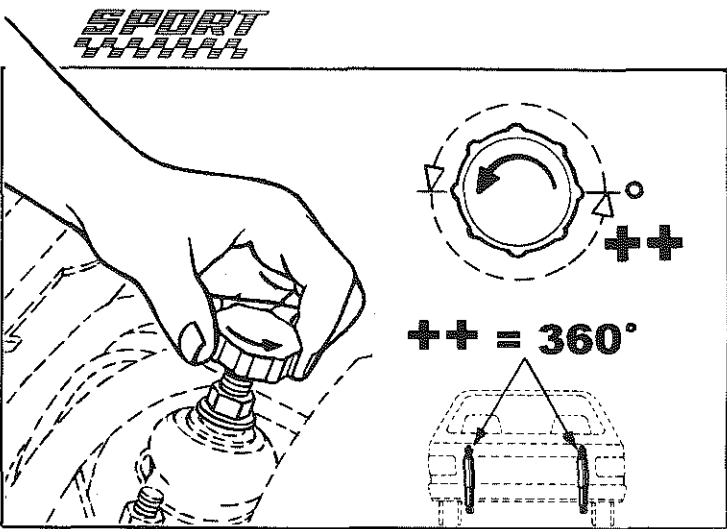
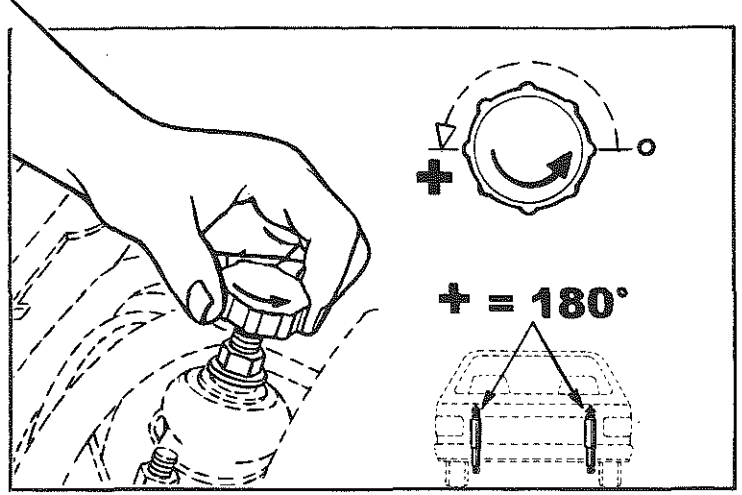
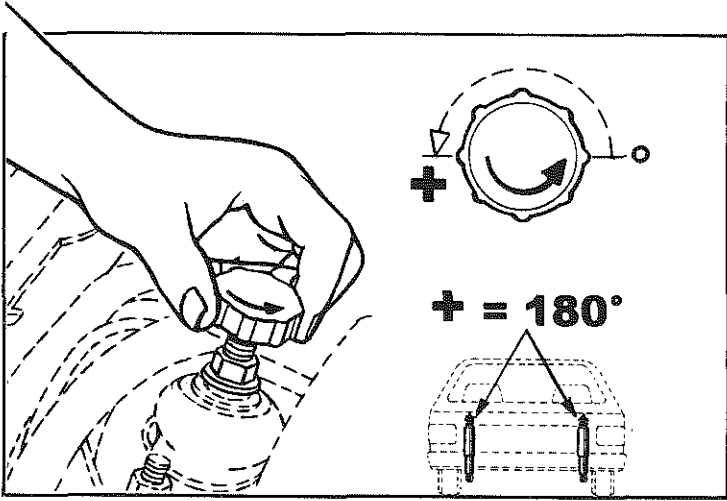
1027 05 13 42  
211/2



# instruction

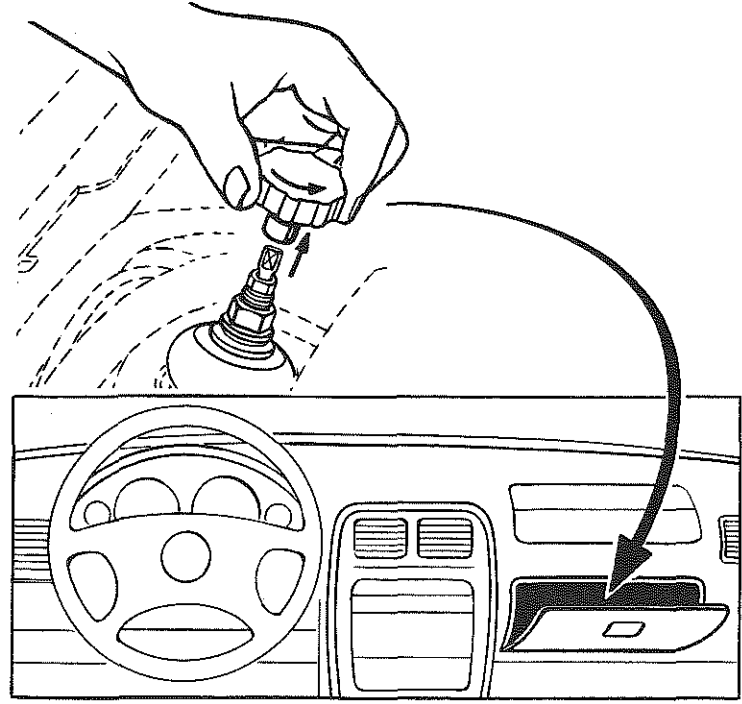
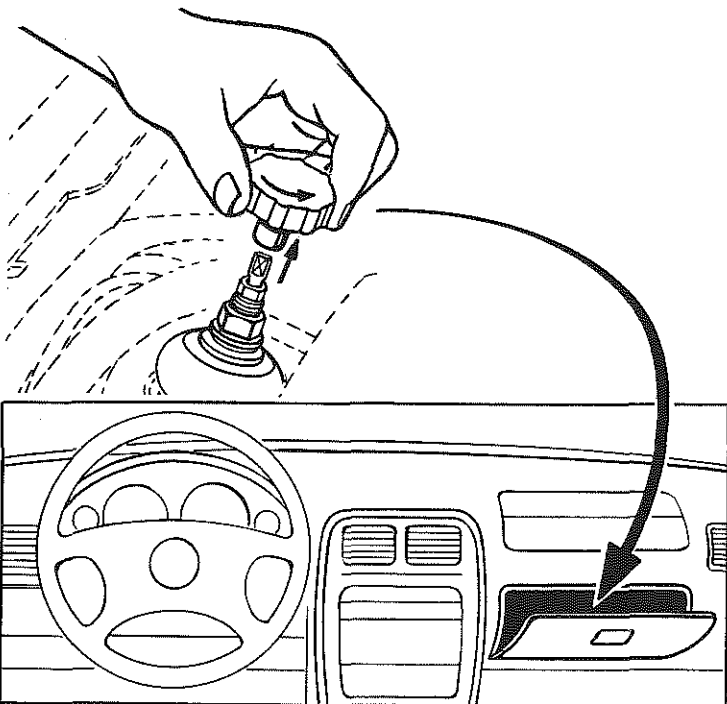
1027 05 13 42  
211/2

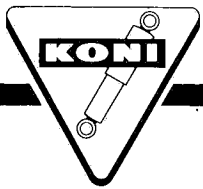




**++++ = MAX. 720°**

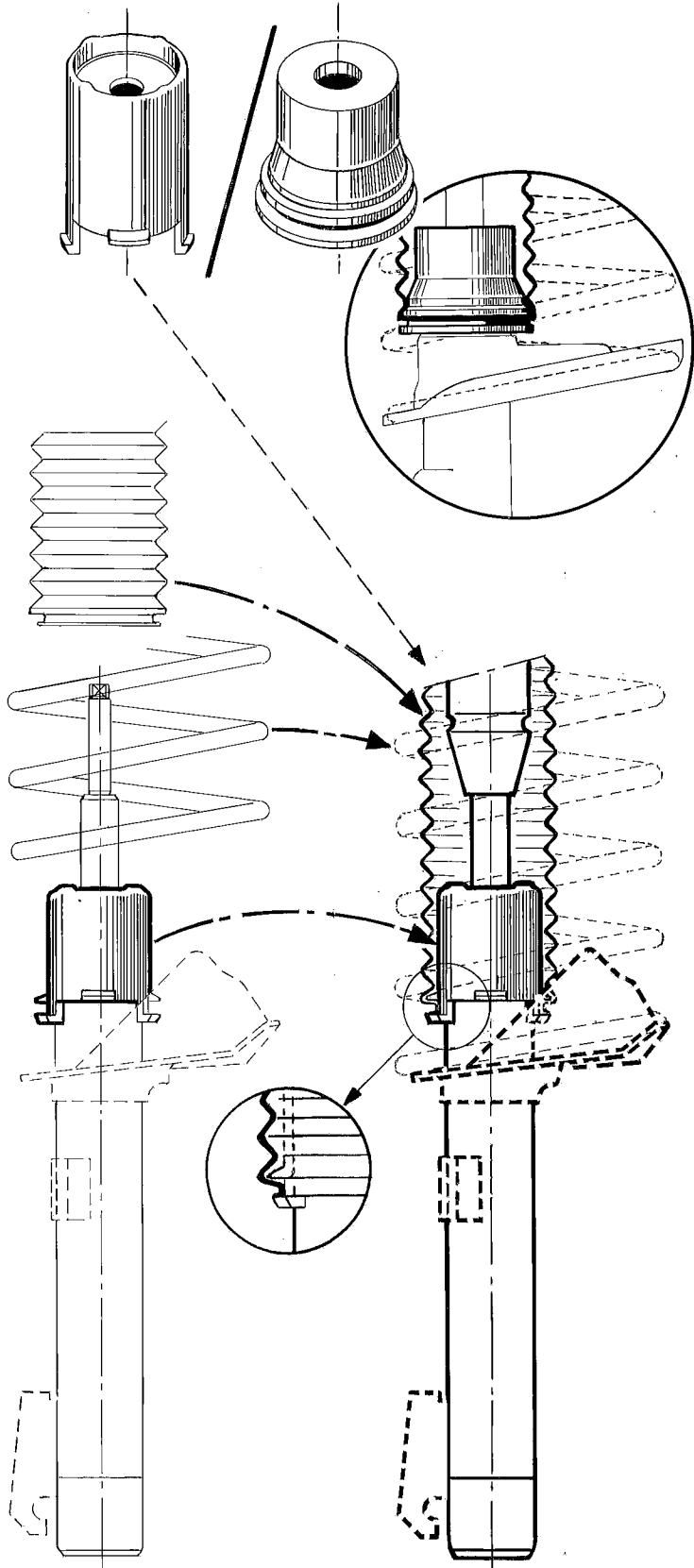
**++++ = MAX. 720°**



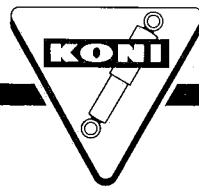


# instruction

1027 05 18 78  
912

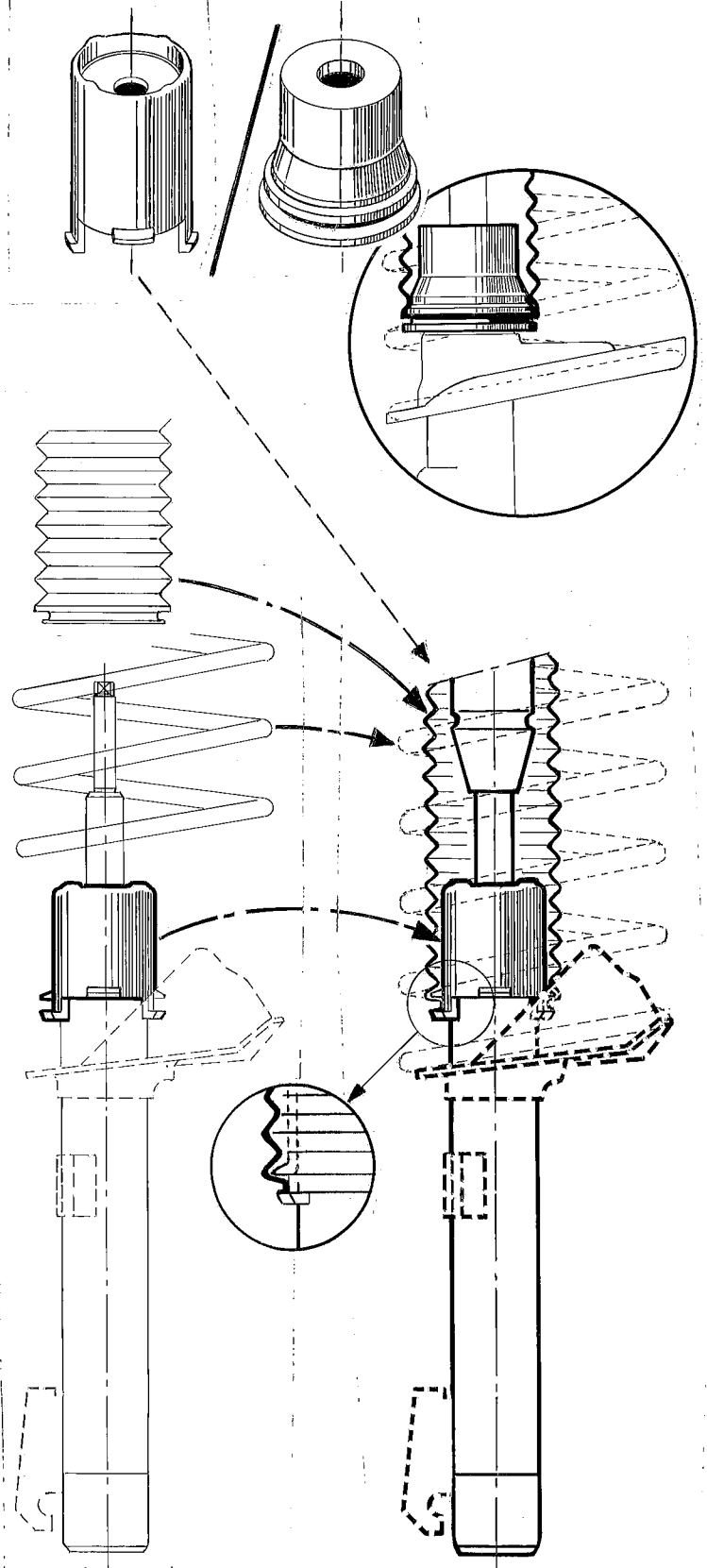


ORIGINAL

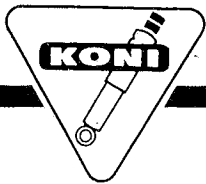


# instruction

1027 05 18 78  
912

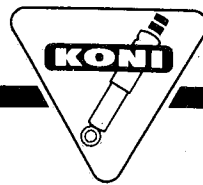
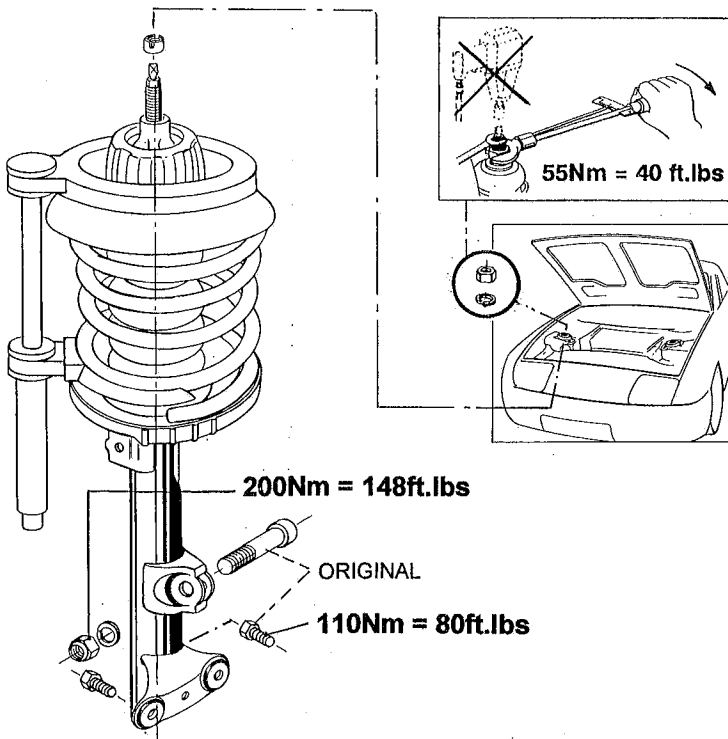
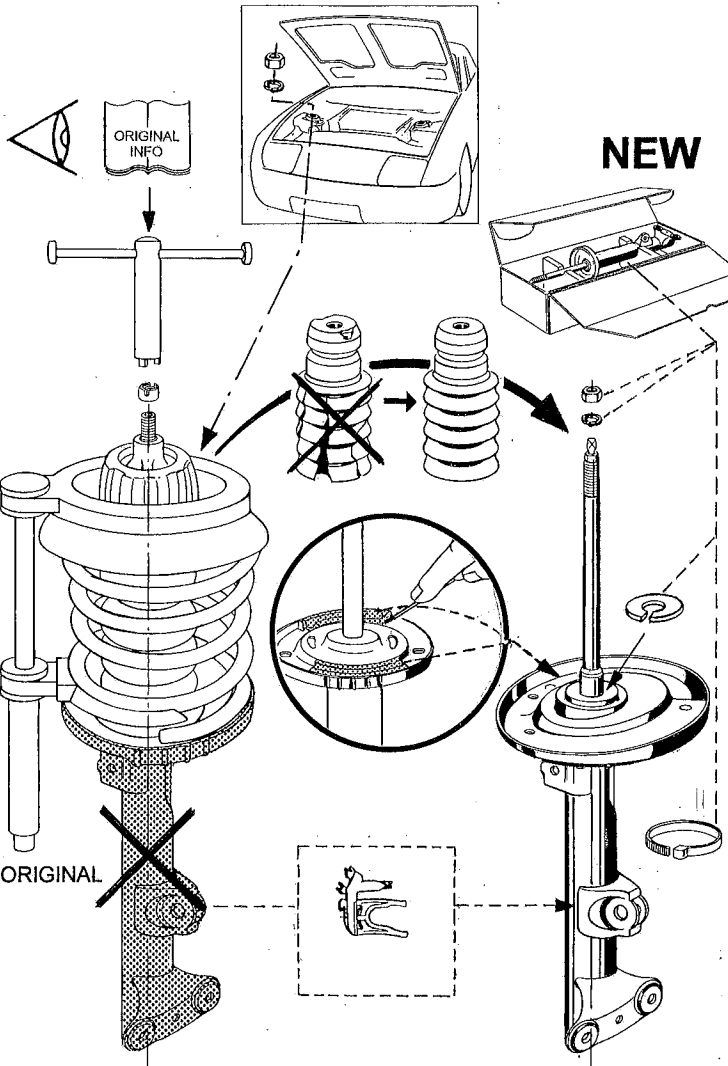


ORIGINAL



# instruction

1027 05 20 21  
301/2



# instruction

1027 05 20 21  
301/2

